

RX-850EV

Label Printing Scale

Essae[®]
...for Excellence



Elegant design to enliven your counter



Technical Specifications

Description	RX-850EV Label Printing Scale
Capacity/ Accuracy	6 kg/1 g, 15 kg/2 g, 30 kg/5 g
Platter size (mm)	370 x 275
Processor	32-bit ARM processor
Weight sensor	Load cell
Power supply	230 V AC
Operating temperature	0°C to 45°C
Operator & customer display	256 x 64 Dot Matrix LCD (Green)
Label printer speed	80 mm/sec
Paper	Width : 20 ~ 62 mm Length : 20 ~ 110 mm Thickness : 170 micr on (max)
Barcode	EAN-13, CODE128 (A,B,C) & QR Code
Keyboard	101 keys (70 preset)
Interface	<ul style="list-style-type: none"> • 2 x USB host (k eyboard & scanner) • 1 x RS-232 • High Speed Ethernet
Factory option	Wi-Fi (20 meters line of sight)
Memory	2 MB (expandable upto 4 MB)
PLU	<ul style="list-style-type: none"> • 2 MB : 5000 (name, group, price, tax etc..) • 4 MB : 9999 (name, group, price, discount etc..)

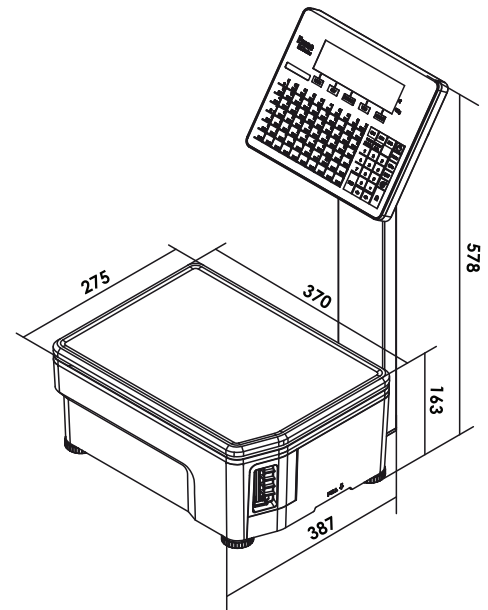
Customer Display



Sample Format

Organisation Name Potato Fresh Lar				Organisation Name Potato Fresh Lar			
							
0 010040 002506							
Unit Price	QTY	PLU CODE	Total Price	Unit Price	QTY	PLU CODE	Total Price
₹ 12.90	250 _g	1004	₹ 3.23	₹ 12.90	250 _g	1004	₹ 3.23

Dimension (mm)




Salient Value

- Large white LCD display for easy readability
- Superior styling & aesthetics, ideal for retail counters
- Elevated-style design with 70 preset keys for user-friendly operations
- Powerful ARM processor with flexible barcode options
- Optional Wi-Fi module enables cable-free operations

Form No. : 26016-CAT-RX-850EV-080 R01

Authorized Partner...

Limra Instruments

 G-8, Ground Floor Top Class Enclave CHS. Ltd.,
 Opp Zudio Showroom, Bhoidapada, Sativali Road,
 Vasai East, Dist. Palghar-401208, Maharashtra.

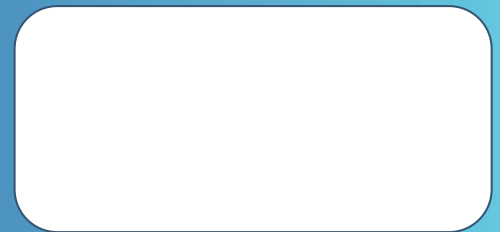
 info@limrainstruments.com,
 sales@limrainstruments.com,

 www.limrainstruments.com



Scan For Website

Your Limra Representative



 Customer Care - 7666114785